

**A Technische Daten / Technical specifications / Caractéristiques techniques / Dati tecnici / Datos técnicos / Technische gegevens / Tehniska data / Dane techniczne**

Type	VPU II 2 (R) PV 600VDC		VPU II 2 (R) PV 1000VDC		VPU II 3 (R) PV 1000VDC		VPU II 3 (R) PV 1200VDC		VPU II 3 (R) PV 1500VDC	
Part number	1351340000	1351370000	1351220000	1351240000	1351270000	1351290000	1351420000	1351440000	1351500000	1351530000
U <sub>cpv</sub>	600 V		1000 V		1000 V		1200 V		1500 V	
I <sub>scpv</sub>	200 A		200 A		200 A		200 A		200 A	
I <sub>n</sub>	20 kA		12.5 kA		20 kA		20 kA		12.5 kA	
I <sub>max</sub>	40 kA		25 kA		40 kA		40 kA		25 kA	
U <sub>p</sub> +/- ↔ PE	≤ 2200 V		≤ 2800 V		≤ 4000 V		≤ 4400 V		≤ 5200 V	
U <sub>p</sub> + ↔ -	≤ 4400 V		≤ 5600 V		≤ 4000 V		≤ 4400 V		≤ 5200 V	
min	2.5 mm <sup>2</sup>		2.5 mm <sup>2</sup>		2.5 mm <sup>2</sup>		I = 15 mm / 2 Nm...3 Nm			
max			50 mm <sup>2</sup>		25 mm <sup>2</sup>		I = 15 mm / 2 Nm...3 Nm			
R <sup>1)</sup> (250 V AC / 1 A / 1 CO)	no	yes	no	yes	no	yes	no	yes	no	yes
T <sub>A</sub>	-40 °C...+70 °C									
Relative humidity	5...95 %, indoor									
Protection degree	IP20, built-in									
Number of ports	1									
L x W x H	94 x 35.6 x 69 mm	106 x 35.6 x 69 mm	94 x 35.6 x 69 mm	106 x 35.6 x 69 mm	94 x 53.4 x 69 mm	106 x 53.4 x 89 mm	94 x 53.4 x 69 mm	106 x 53.4 x 89 mm	94 x 53.4 x 69 mm	106 x 53.4 x 89 mm
Spare arrestor	1351320000		1351190000		1375440000		1351390000		1351480000	

1) R = remote signal contact

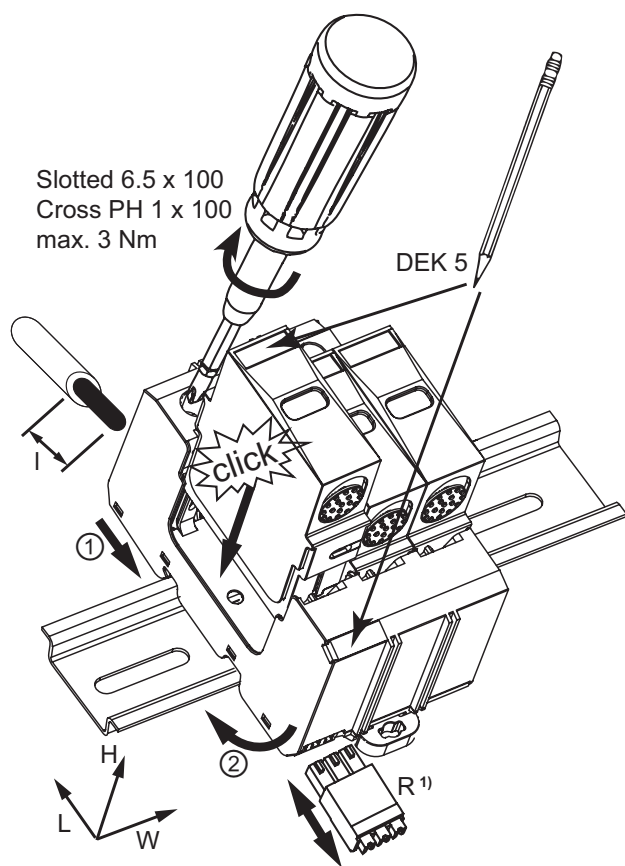
- de** Installationsanleitung  
VPU II PV
- en** Installation instruction  
VPU II PV
- fr** Consignes d'installation  
VPU II PV
- it** Istruzioni per l'installazione  
VPU II PV
- es** Instrucciones para la instalación  
VPU II PV
- nl** Installatiehandleiding  
VPU II PV
- sv** Installationsanvisning  
VPU II PV
- pl** Instrukcja instalacji  
VPU II PV

**Weidmüller**  
Weidmüller Interface GmbH & Co. KG  
PO Box 3030  
32720 Detmold  
Germany  
Phone +49 5231 14-0  
Fax +49 5231 14-292083  
E-mail info@weidmueller.com  
Internet www.weidmueller.com

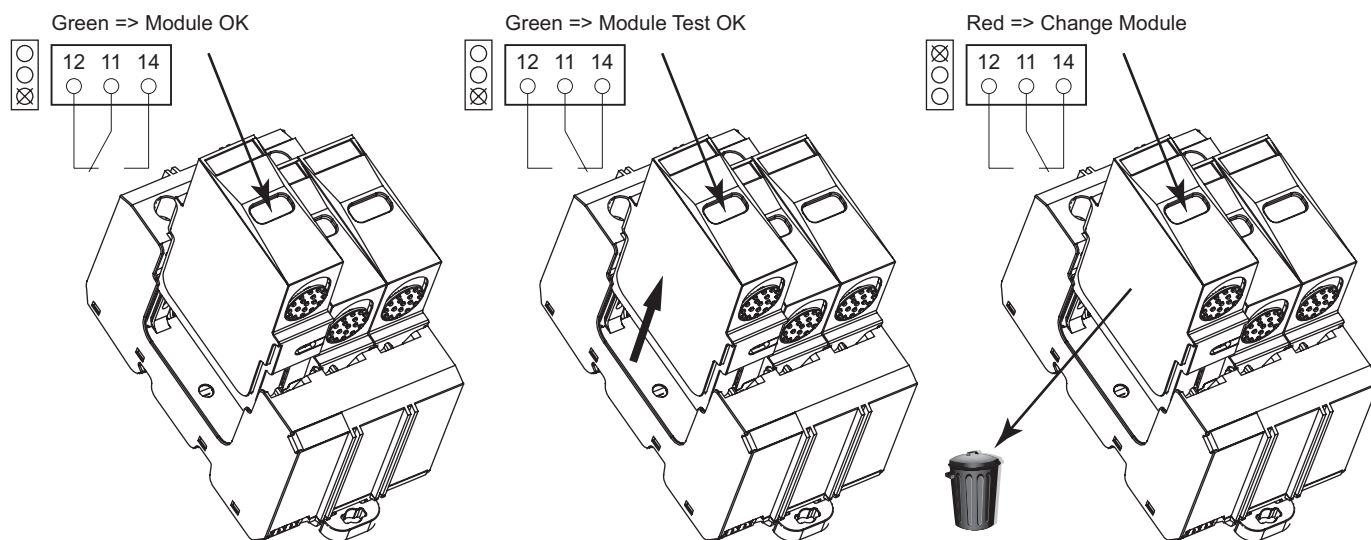


R.T.Nr. 1377850000/04/03.15

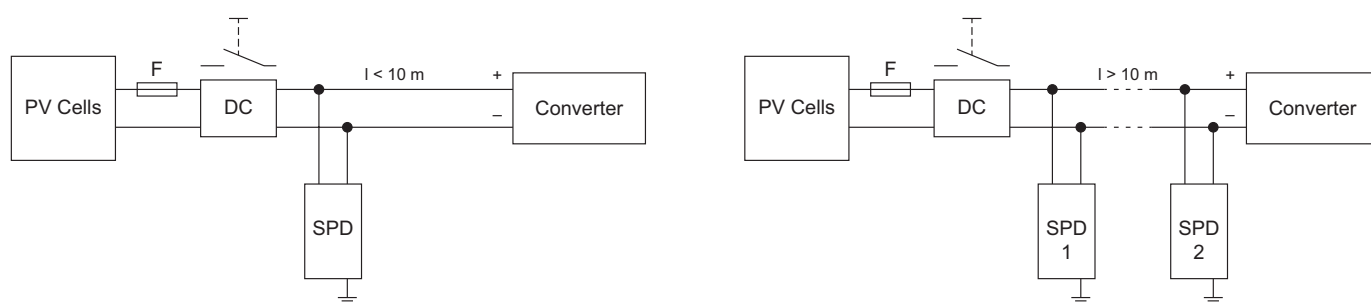
**B Montage / Mounting / Montage / Montaggio / Montaje / Montage / Montering / Montaž**



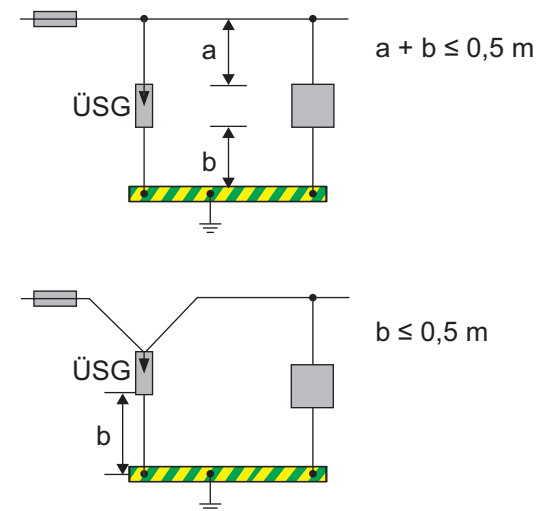
**C Monitoring / Monitoring / Surveillance / Monitoring / Monitorización / Onderhoud / Övervakning / Monitorowanie**



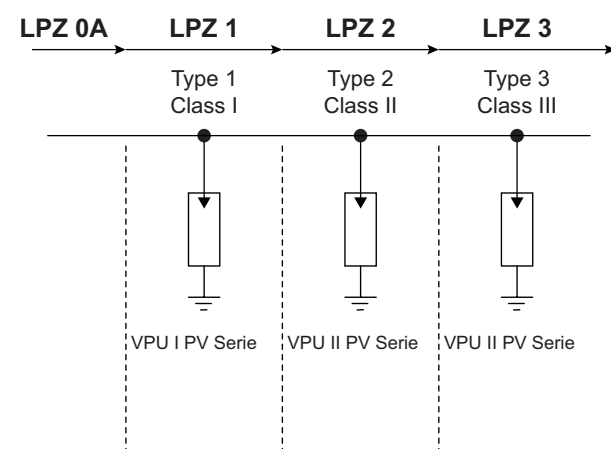
**D Applikation / Application / Application / Applicazione / Aplicación / Toepassing / Applikation / Schemat aplikacyjny**



**E PE-Verkabelung / PE cabling / Câblage PE / Cablaggio PE / Cableado PE / PE-bekabeling / PE-ledningsdragnig / Okablowanie PE**



**F Koordination / Coordination / Coordination / Coordinamento / Coordinación / Coördinatie / Koordinering / Koordynacja IEC 62305-4**



**G Zulassungen / Approvals / Autorisations / Approvazioni / Homologaciones / Certificaten / Godkännanden / Świadectwa dopuszczenia**

Surge protection for photovoltaic systems with  
U<sub>c</sub> = 600/1000/1200/1500 V DC

CE  
Test Class I/II: EN 50539-11

